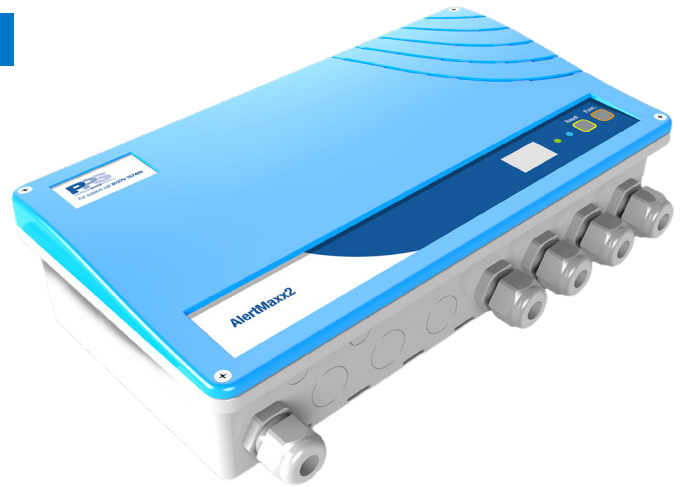


ALERTMAXX2

OVERVIEW & FEATURES

The AlertMaxx2 is an intelligent high level alarm, designed to alert homeowners when the water level in their pump station becomes too high.

- The AlertMaxx2 provides internal data logging, energy monitoring and a reminder when servicing is due.
- It can be a stand alone unit or it can be connected via Wi-Fi to the SideWinder Technology monitoring system (www.sidewindertech.co.uk).
- Offering a volt free contact, the AlertMaxx2 allows connection of external devices such as an alarm or beacon with a maximum load of 0.5A and voltage up to 30V.
- The VFR can also be connected to any BMS system if required for high level alarm only, sending a continuous signal.



TECHNICAL DATA

Product Code	AMX2G or AMX2F
Size (without cable glands)	310mm x 170mm x 78mm
Weight (with battery installed)	1kg
Mains supply	200-250V AC (50Hz)
Internal battery	Pb 6V - 1.2Ah
Sound Level	100db @ 30cm
Operating temperature	5-35°C
Power (standby)	<2W
IP	IP2X
Approximate installation time	1 hour
Electrical Requirements (Ground)	2 Spurs
Electrical Requirements (Foul)	1 Spur
Warranty	2 years

WARRANTY

AlertMaxx2 is offered with a 24 month component warranty. This warranty only covers any defects in workmanship, construction or material. This warranty does not cover, defects caused by incorrect installation, installer error, abnormal working conditions, misuse or neglect.

HEALTH & SAFETY

In order to minimise the risk of ill health or accidents when installing and/or servicing pump chambers and associated accessories, workers must be fully trained and competent.

The following guidelines will help safeguard matters:

- Assessing the risk and working in accordance with the control measures identified.
- Ensure electrical power to the equipment is isolated before carrying out installation or maintenance.
- A suitable first aid kit must be close to hand.
- The electrical installation must comply with the requirements of BS 7671:2018 'Requirements for Electrical Installations' incorporating the latest amendments.

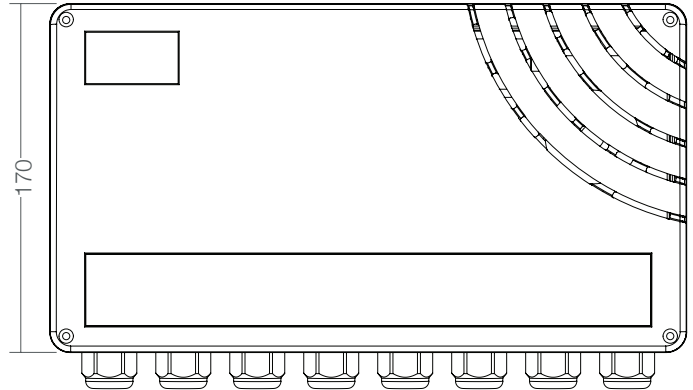
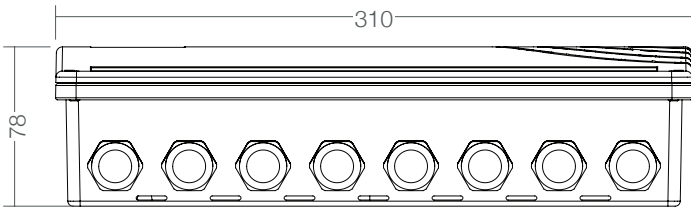
CONNECTIVITY

AlertMaxx2 can be a stand alone high level alarm or it can be registered to connect through Wi-Fi via one of the Packaged Pump Systems service plans. With a service plan, we will monitor your pump station in real time and detect if and when something is going to go wrong, before it does. We will be alerted to faults immediately, rather than waiting for them to be discovered.

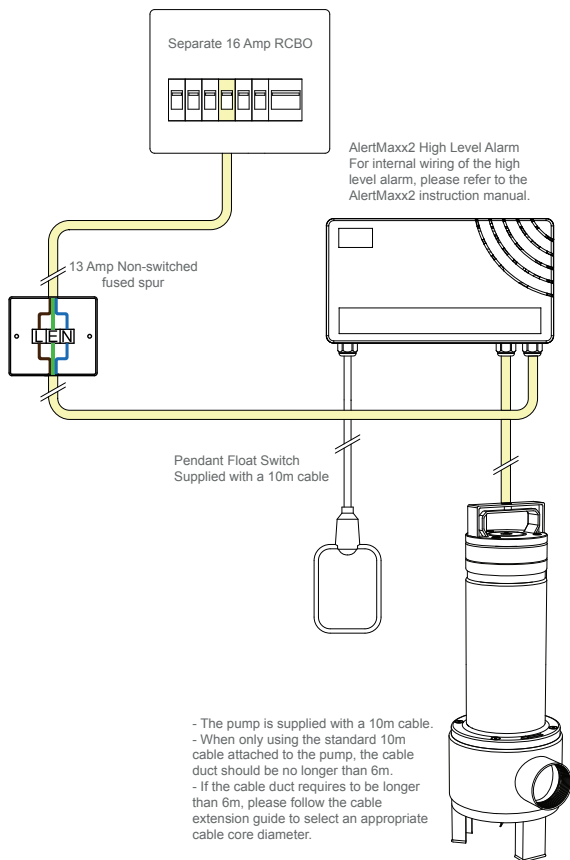


ALERTMAXX2

TECHNICAL DRAWINGS

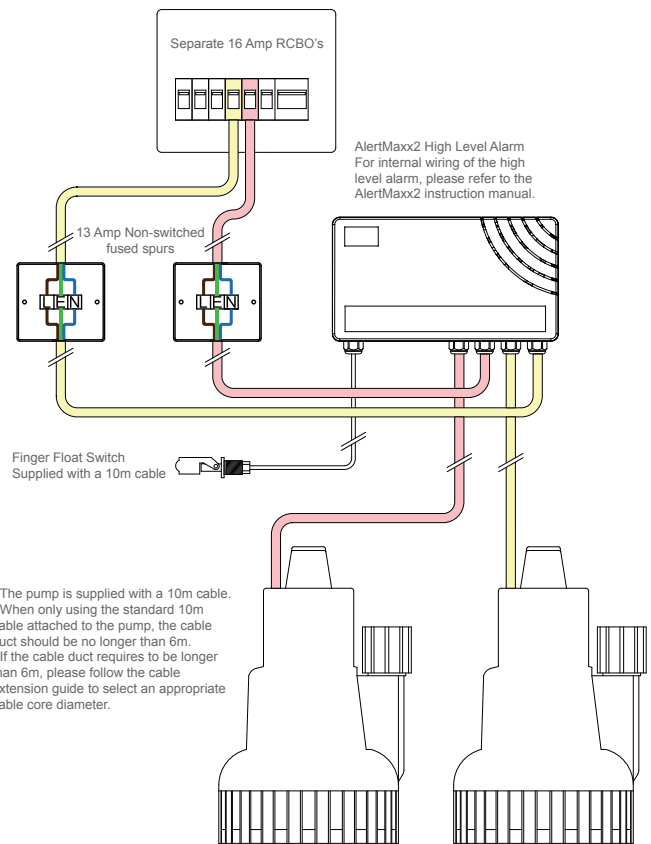


WIRING DIAGRAM – FOUL WATER



The electrical installation must comply with the requirements of BS 7671:2018 'Requirements for Electrical Installations' incorporating the latest amendment.

WIRING DIAGRAM – GROUND WATER



The electrical installation must comply with the requirements of BS 7671:2018 'Requirements for Electrical Installations' incorporating the latest amendment.